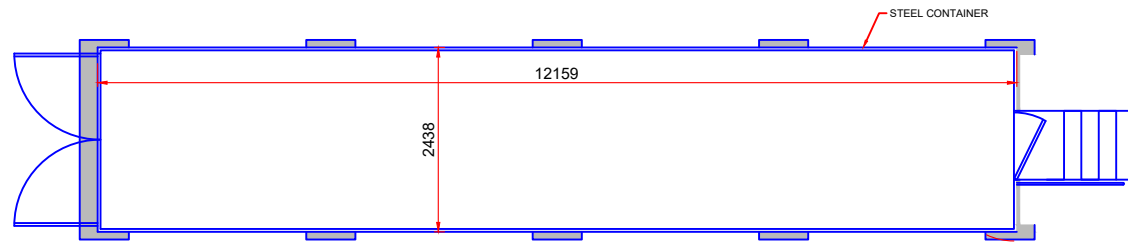
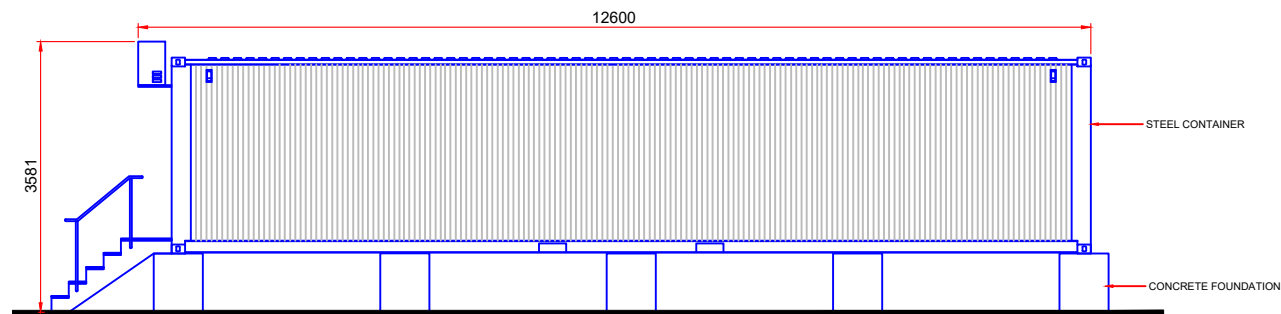


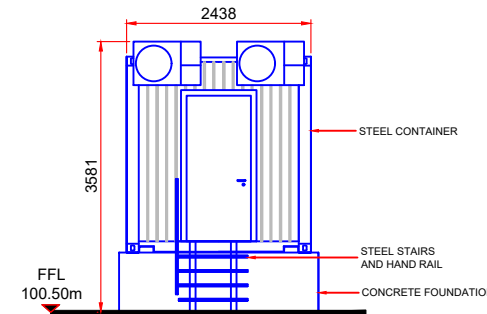
PLEASE NOTE THAT THE COMPONENTS ILLUSTRATED ON THIS DRAWING ARE INDICATIVE ONLY. THE PRECISE SPECIFICATION AND DETAIL WILL BE DETERMINED BY THE ELECTRICAL EQUIPMENT SUPPLIER AND EIRGRID FUNCTIONAL SPECIFICATION



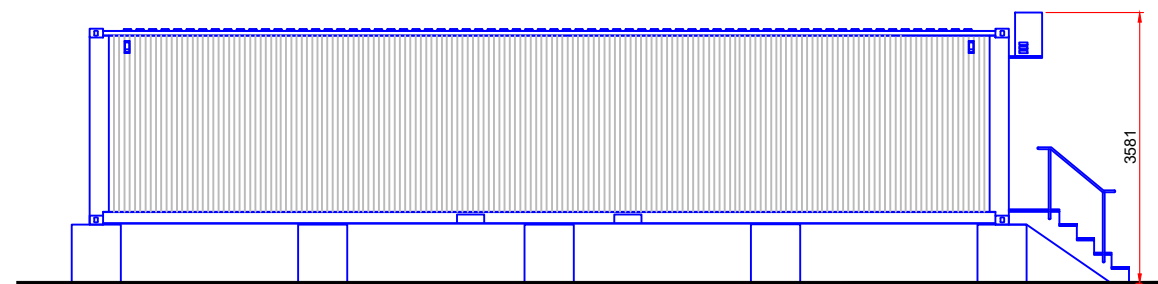
FLOOR PLAN
SCALE 1:100



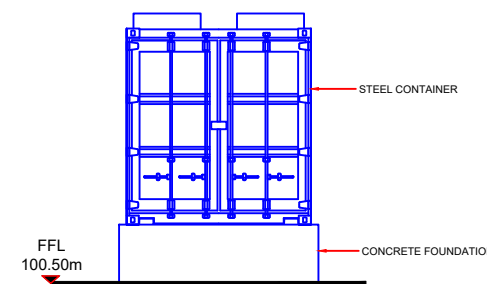
SIDE ELEVATION
SCALE 1:100



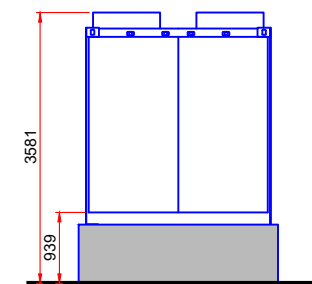
FRONT ELEVATION
SCALE 1:100



SIDE ELEVATION
SCALE 1:100



REAR ELEVATION
SCALE 1:100



TYPICAL SECTION
SCALE 1:100

All dimensions are in millimeters unless otherwise stated.

Date: Rev: Description: Drawn By:

Prepared By:



Galetech Energy Services
Clondargan, Stradone
Co. Cavan, H12 NV06
info@galetechenergy.com
www.galetechenergy.com

Client: Drumlins Park Ltd.

Job Title: Drumlins Park Wind Farm Substation & Grid Connection

Drawing Title:

Figure 15 - Typical Battery Container Building Plan and Elevations

Drawing No.: DRU001SS_PAG_GA-0.04 Revision No.: Rev00

Scale: (A3) 1:100 Date: 03/12/2020

Drawn By: J.B. Checked By: S.C. Confirmed By: S.C.